

# **PARTS CATALOG**

## **Copy Tray-K1**

**Canon**

**Mar 17 2004**



## **PREFACE**

This Parts Catalog contains listings of parts used

Diagrams are provided with the listings to aid the service technician in identifying clearly, the item to be ordered.

Whenever ordering parts, consult this Parts Catalog for all of the information pertaining to each item. Be sure to include, in the Parts Request, the full item description, the item part number, and the quantity.

***COPYRIGHT (C) 1999 CANON INC.***

Use of this manual should be strictly supervised to avoid disclosure of confidential information.



# Contents

## Parts List Index

Copy Tray-K1 ..... 1-1

## Copy Tray-K1

G20 PAPER DELIVERY TRAY ..... 2-1



# NUMERICAL INDEX

## Copy Tray-K1

PARTS NUMBER	FIGURE & KEY NO.	PARTS NUMBER	FIGURE & KEY NO.	PARTS NUMBER	FIGURE & KEY NO
FB5-5596-000	G20 - 1				
FC5-2769-000	G20 - 2				
FC5-2770-000	G20 - 3				
FC5-5131-000	G20 - 4				
FC6-2827-000	G20 - 5				
NPN	G20 -				
XB4-7400-807	G20 - 501				
XB4-7401-007	G20 - 502				





# **Copy Tray-K1**

**F26-4111-000**



# Contents

G20 PAPER DELIVERY TRAY .....	2-1
-------------------------------	-----



# FIGURE G20 PAPER DELIVERY TRAY

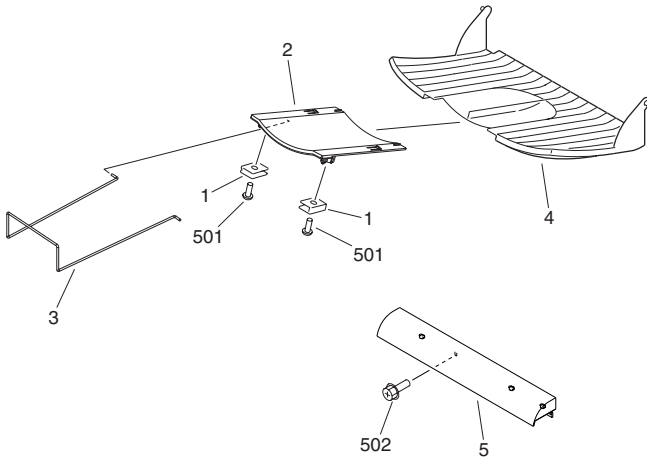


FIGURE & KEY NO.	PARTS NUMBER	R A N K	QTY	DESCRIPTION	SERIAL NUMBER/ REMARKS	S V C
Fig.G20	NPN		RF	PAPER DELIVERY TRAY		
1	FB5-5596-000		2	HOLDER, BAR		
2	FC5-2769-000		1	TRAY, PAPER DELIVERY, 2		
3	FC5-2770-000		1	BAR, PAPER DELIVERY TRAY		
4	FC5-5131-000		1	TRAY, PAPER DELIVERY, 1		
5	FC6-2827-000		1	PANEL, PAPER DELIVERY GUIDE		
501	XB4-7400-807		AR	SCREW,TAPPING,TRUSS HEAD,M4X8		
502	XB4-7401-007		AR	SCREW,TAPPING,TRUSS HEAD,M4X10		



Prepared by  
OFFICE IMAGING PRODUCTS QUALITY ASSURANCE CENTER  
CANON INC.

**Canon**